



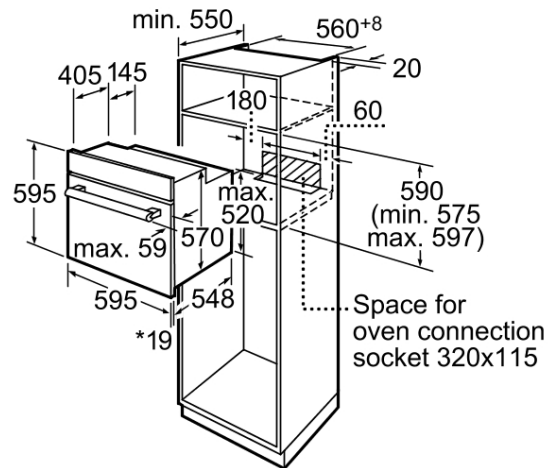
**BOSCH**

Invented for life

## Ovens technical diagrams

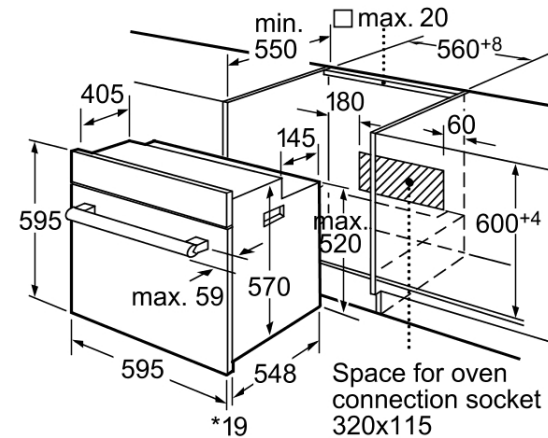
All dimensions are in millimetres

Single ovens built in (except model HBA13B250B)



\*20 mm for metal fascias

Measurements in mm



\*20 mm for metal fascias

Measurements in mm

These line drawings are provided as a guide to general dimensions only and are subject to amendment without prior notice. For full dimensional and installation details please refer to the documentation supplied with the appliance.

[www.bosch-home.co.uk](http://www.bosch-home.co.uk)

Copyright © BSH Home Appliances 2009